

Altusen KH98 IPMI KVM Switch



KH98 8-Port Health Manager KVM Switch

The KH98 KVM Switch offers multiple computer access along with Remote intelligent Platform Management Interface(IPMI 2.0) monitoring from a single console (Keyboard,monitor,and mouse). IPMI allows the monitoring of server hardware health related factors including CPU temperature,voltage,fan speed,etc.

IPMI is quickly becoming a computer industry standard for troubleshooting and failure prevention. Best of all, IPMI can be deployed remotely(Out of Band), even when a system is down.

Thanks to the KH98, now you can easily manage and maintain your infrastructure in a cost effective manner. A single KH98 can manage up to 8 computers. Since units can be cascaded to three levels, in a full three stage installation up to 73 KH98 units can control and monitor up to 512 computers - all from a single console.

Features

A single PS/2 console controls up to 8 computers.

Centralized management - Control up to 512 computers(cascading) from a single console.

Server health monitoring - receive PET alerts and monitor up to 512 IPMI enabled servers from a single console (IPMI over LAN).Remote maintenance - system reset and power On/Off for IPMI enabled servers.

Robust security - Administrator/User password authorization for enhanced security protection.

No software required - convenient computer selection via front panel switches, Hotkeys and intuitive On Screen Display (OSD) menus.

Intelligent OSD (On Screen Display) and hotkey switching for efficient system handling.

Auto Scan Mode enables continuous monitoring of user-selected computers.

Hot Pluggable - add or remove computers without having to power down the switch.

PS/2 mouse emulation for system bootup.

Superior video quality: up to 1920 x 1440 @ 60Hz; DDC; DDC2; DDC2B.

Multiplatform support:Windows 2000/XP/Vista, Linux, Unix and FreeBSD.

For more information about KVMs which can connect to KH98, see Compatible KVM Table

Package Content

1x 8-Port Health Manager KVM Switch

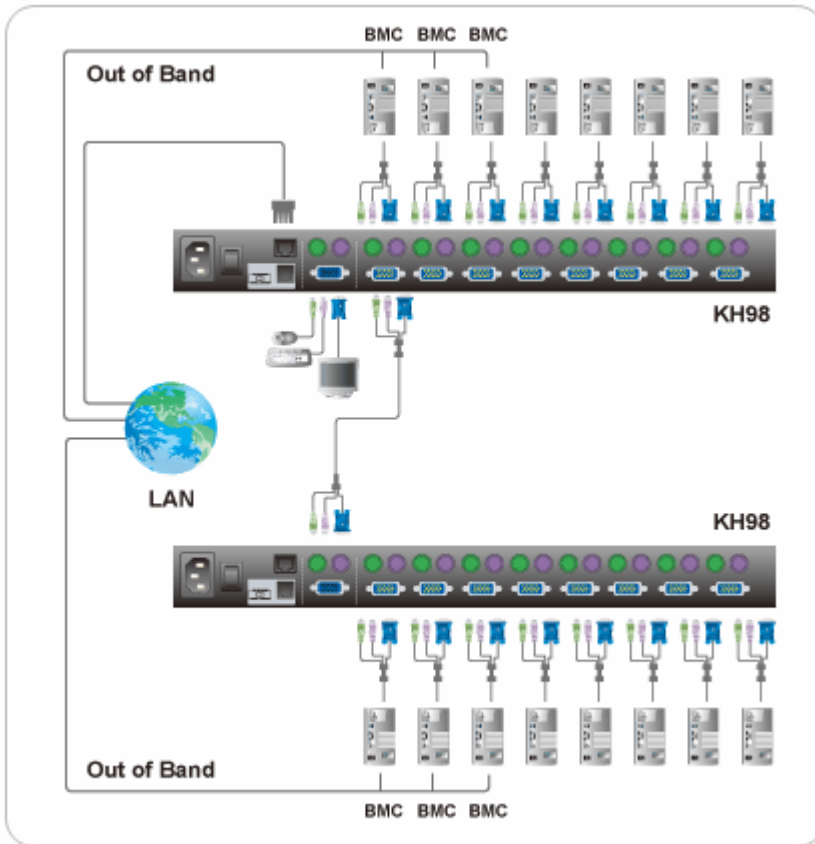
1x Firmware Upgrade Cable

1x Power Cord

1x Rack Mount Kit (Brackets and Phillips head hex M3 x 8 screws)

1x Foot Pad Set (4 pcs.)

1x User Manual
1x Quick Start Guide



www.bellequip.at/aten/aten/aten.htm



www.bellequip.at/altusen/altusen/altusen.htm

Kontakt Daten - Anfrage:

Tel: 02822 33 33 990

E-Mail: info@bellequip.at

Internet: www.bellequip.at

Lösungen für

| IT, EDV, Rechenzentren, Industrie, Automation, Telekommunikation, Leitstand, Rundfunk, Fernsehen, Werbung | | Physikalischer Schutz – Datenschutz IT- Sicherheitsräume |
|---|---|---|
| 19 Zoll Einbaukonsolen 2 Port KVM Switches 4 Port KVM Switches 8 Port KVM Switches 16 Port KVM Switches KVM over IP Switches Matrix KVM over IP Switches KVM Switches DVI KVM Switches DVI Matrix Switches KVM Extender KVM over IP Extender USB Extender VGA Extender VGA + Audio Extender VGA + Audio + RS232 Extender DVI Extender DVI KVM Extender HDMI Extender DVI Splitter VGA Splitter VGA Video Switches Digital Signage Audio over IP Desktop over IP Line Interaktive USV Anlagen | 1p / 1p Online USV Anlagen 3p / 1p Online USV Anlagen 3p / 3p Online USV Anlagen USV Anlagen USV Batterien USV Elektro Verteilung USV Service & Support USV Software USV Anlagen für Rechenzentren ATS Automatic Transfer Switches Konverter CATx Patchkabel LWL Patchkabel Netzwerkschränke Serverschränke Remote I/O Kontakte über IP Remote Power Management Rack Monitoring / Serverraum Überwachung Wireless Communication Mobiles Ethernet / Netzwerk GSM / GPRS / EDGE / UMTS / HSDPA Device Server Secure Console Server Serielle Server USB over IP | Brandfrühsterkennung Brandmelder Brandschutzpaneele Brandschutztüren Brandmeldezentralen Doppelboden / Doppelböden E-Installationstechnik Gaslöschanlagen Hochverfügbarkeitsraum / Hochverfügbarkeitsräume Kabeldurchführungen Klimageräte Leckagenwarnsysteme Netzersatzanlagen Präzisionsklimaschränke Sauerstoffreduzierung Serversafes Sicherheitsfolien Switchbox Videoüberwachung Zutrittssysteme |