

## Altusen KH2516 16 Port Matrix CATx KVM Switch / Switches

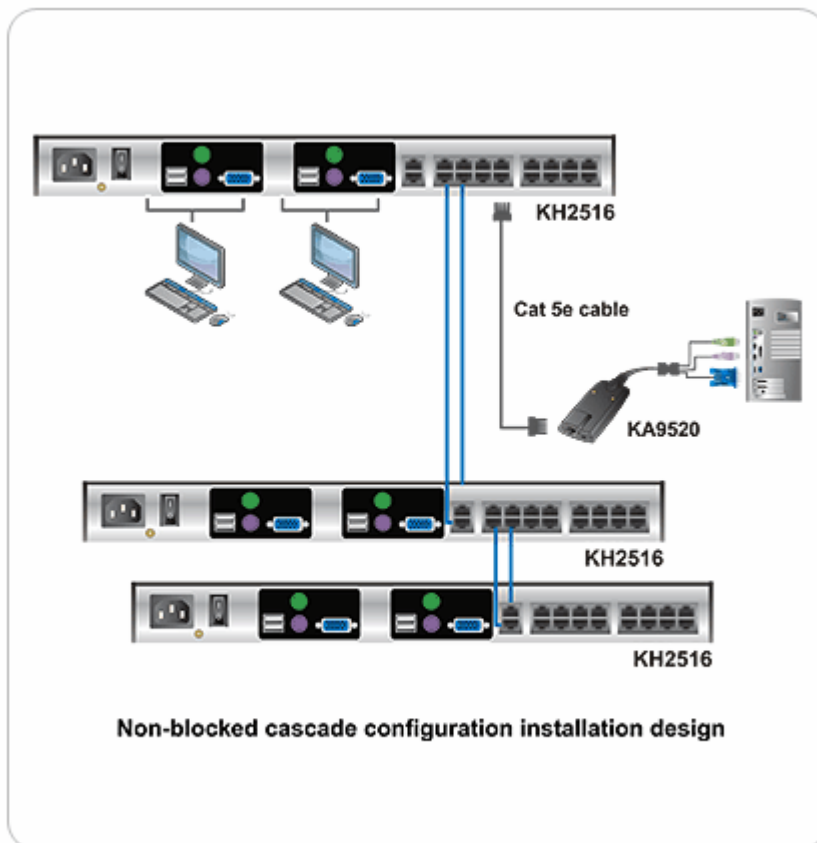


### 16-Port Cat 5 High Density KVM Switch

Altusen KH2516 Cat 5 High Density KVM Switch offers 16 computer port configurations within a 1U housing for convenient rack mounting and complete KVM connectivity with one slim Cat 5e cable. It allows IT administrators to control multiple computers from a single KVM (keyboard, monitor, and mouse) console. The switch is capable of expansion to provide complete control of 4096 computers from both consoles for a flexible and affordable solution for SMB server room administration.

### Features

- Two consoles independently and simultaneously control up to 16 directly connected computers
- Cascade up to 3 levels of KH2516 switches to support up to 4096 computers
- Non-blocked cascading allows both consoles on the master switch to access up to 1024 computers
- Superior video resolution - 1280 x 1024 @ 75 Hz up to 40 m; 1600 x 1200 @ 60 Hz up to 30 m
- Console conversion – any type of KVM console can control any type of computer; mixed combinations (PS/2 & USB) supported on both the KVM console and computer sides
- Multiplatform support – PC, Mac, Sun, and serial
- Connect USB flash drives for configuration backup and restore
- Easy Installation – Simply plug in the cables. No software to configure; no complex installation routines
- Simple Space-saving Cabling – Cat 5e reduces cable bulk by providing complete KVM connectivity in one cable
- Supports two-level user access control
- Supports up to 96 user accounts
- Configure port access rights for users on a port-by-port basis
- Diversified port operation mode enables flexible computer management – Occupy, Exclusive and Share modes
- OSD port list automatically expands when stations are added
- Port names are automatically reconfigured when the station/computer sequence is changed
- OSD screen automatically adjusts to resolution changes
- Auto Scan mode enables continuous monitoring of user-selected computers
- User activity log support
- Dual Interface – supports computers and consoles with PS/2 or USB keyboards and mice
- USB / PS/2 keyboard and mouse emulation – computers boot even when the KVM console focus is elsewhere
- Free lifetime firmware upgrades
- Compact design



[www.bellequip.at/aten/aten/aten.htm](http://www.bellequip.at/aten/aten/aten.htm)



[www.bellequip.at/altusen/altusen/altusen.htm](http://www.bellequip.at/altusen/altusen/altusen.htm)

## Kontakt Daten - Anfrage:

Tel: 02822 33 33 990

E-Mail: [info@bellequip.at](mailto:info@bellequip.at)

Internet: [www.bellequip.at](http://www.bellequip.at)

# Lösungen für

<b>IT, EDV, Rechenzentren, Industrie, Automation, Telekommunikation, Leitstand, Rundfunk, Fernsehen, Werbung</b>		<b>Physikalischer Schutz – Datenschutz IT- Sicherheitsräume</b>
19 Zoll Einbaukonsolen 2 Port KVM Switches 4 Port KVM Switches 8 Port KVM Switches 16 Port KVM Switches KVM over IP Switches Matrix KVM over IP Switches KVM Switches DVI KVM Switches DVI Matrix Switches KVM Extender KVM over IP Extender USB Extender VGA Extender VGA + Audio Extender VGA + Audio + RS232 Extender DVI Extender DVI KVM Extender HDMI Extender DVI Splitter VGA Splitter VGA Video Switches Digital Signage Audio over IP Desktop over IP Line Interaktive USV Anlagen	1p / 1p Online USV Anlagen 3p / 1p Online USV Anlagen 3p / 3p Online USV Anlagen USV Anlagen USV Batterien USV Elektro Verteilung USV Service & Support USV Software USV Anlagen für Rechenzentren ATS Automatic Transfer Switches Konverter CATx Patchkabel LWL Patchkabel Netzwerkschränke Serverschränke Remote I/O Kontakte über IP Remote Power Management Rack Monitoring / Serverraum Überwachung Wireless Communication Mobiles Ethernet / Netzwerk GSM / GPRS / EDGE / UMTS / HSDPA Device Server Secure Console Server Serielle Server USB over IP	Brandfrühsterkennung Brandmelder Brandschutzpaneele Brandschutztüren Brandmeldezentralen Doppelboden / Doppelböden E-Installationstechnik Gaslöschanlagen Hochverfügbarkeitsraum / Hochverfügbarkeitsräume Kabeldurchführungen Klimageräte Leckagenwarnsysteme Netzersatzanlagen Präzisionsklimaschränke Sauerstoffreduzierung Serversafes Sicherheitsfolien Switchbox Videoüberwachung Zutrittssysteme